

**Accumulated technology realized manufacturing highly precise clutches. Widely used in the whole world.**



**● New structure - Enhancing the precision of contact surface**

Eliminate the pressing operation in sub-assembly to assure the precision of parts. Obtain the stability of torque more than ever.

**● Realization of high durability through exclusive parts**

By exclusive inner bush, we maintain the high durability of the clutches.

**● UL·CSA complied products**

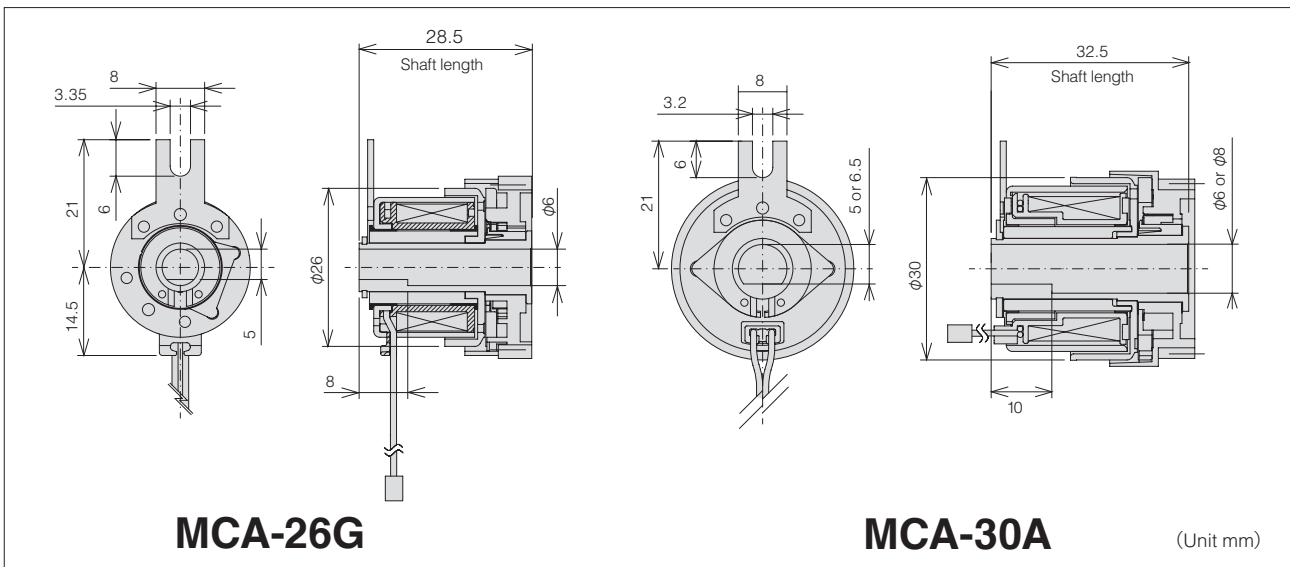
International standards UL·CSA complied materials are used in our parts e.g. coil, lead wire, ..etc. They are able to assemble in export finished goods without modification.

**● Environmentally friendly product**

Complied with RoHS. (Halogen Free compliance is also negotiable.)

**● Internal supply in China**

Lead time and delivery cost are reduced remarkably due to internal supply by our factory in Guang Dong Province, China.



Type	MCA-26G	MCA-30A
Rated Voltage	DC24V	
Capacity	4.0W (±10%)	
Static Friction Torque	Above 0.245Nm(2.5kgfcm)	Above 0.49Nm(5.0kgfcm)
Insulation Classification	E Class[Electrical Safety·TUV(IEC950)] A Class[UL·CSA]	
Withstand Voltage	AC 600V for 1 second	
Insulating Resistance	Above 100MΩ by DC500V-Mega	
Safety Standard	The standards of Electrical Safety, UL·CSA·TUV are satisfied	
Lead Wire	Standard wire of UL1061·VW-1·CSA·AWM AWG26:Black Others and halogen free compliance is also negotiable	
Shaft	Besides of the standard, the direction and dimension of D-Cut shall be discussed	

**Application**

Office automation equipment (Multifunctional copyingmachine, Printer, Printing machine)  
 Automatic vending machine, Automated telling machine, Household automatic door  
 Automatic ticketing machine, Medical equipment, Automatic curtain. . .etc.