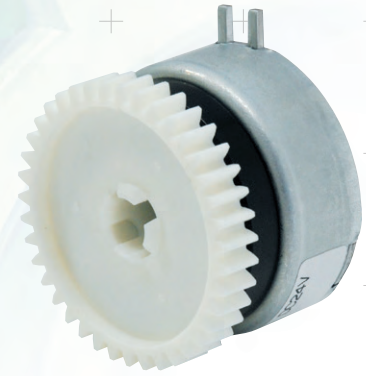


**Most suitable for high torque transmission and precise indexing with its precise rotation.**



**● Stopping in proper segmentation**

Link-up with 1 pulse of input signal, the output shaft will stop exactly to the setting angle.

**● Selectable take off directions**

Related to the clutch baffle, lead wire take off place has 3 optional directions.



\*Standard specification is 360° for 1 step

**● Malfunction and dust prevention design**

Sucking portion becomes dust-proof type, no worry about malfunction by foreign body contamination.

**● UL·CSA complied products**

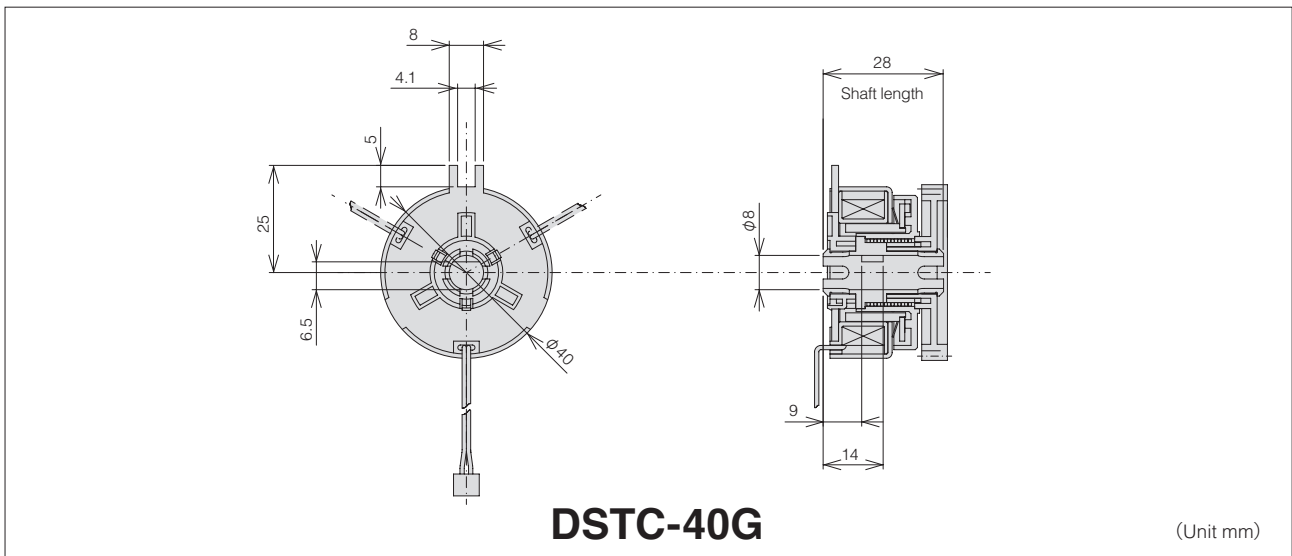
International standards UL·CSA complied materials are used in our parts e.g. coil, lead wire, ..etc. They are able to assemble in export finished goods without modification.

**● Environmentally friendly product**

Complied with RoHS. (Halogen Free compliance is also negotiable.)

**● Internal supply in China**

Lead time and delivery cost are reduced remarkably due to internal supply by our factory in Guang Dong Province, China.



Type	DSTC-40G
Rated Voltage	DC24V
Capacity	8.0W(±10%)
Static Friction Torque	Above 0.49Nm(5.0kgfcm)
Insulation Classification	E Class[Electrical Safety·TUV(IEC950)] A Class[UL·CSA]
Withstand Voltage	AC 600V for 1 second
Insulating Resistance	Above 100MQby DC500V-Mega
Safety Standard	The standards of Electrical Safety, UL·CSA·TUV are satisfied
Lead Wire	Standard wire of UL1061·VW-1:CSA·AWM AWG26:Black Others and halogen free compliance is also negotiable
Shaft	Besides of the standard, the direction and dimension of D-Cut shall be discussed

**Application**

Office automation equipment (Multifunctional copying machine, Printer, Printing machine)  
 Automatic vending machine, Automated telling machine, Household automatic door  
 Automatic ticketing machine, Medical equipment, Automatic curtain. . .etc.